

NEWS OF THE BADGER STATE

Milwaukee—Patrick McManus, county treasurer, sent a check for \$1,071.20 to Madison as the state's share of the surtaxes collected in Milwaukee county.

Kaukauna—Thousands of people are expected here May 8 to attend a carnival and pig fair under the auspices of the Tri-County Fair association.

Sturgeon Bay—Farmers living near Sturgeon Bay, seven miles north of Sturgeon Bay, under a cooperative organization, have incorporated for \$8,000 to build a cheese factory near the village this spring.

Portage—Prof. J. P. Schaefer, agricultural instructor at Portage high school, with a class of 40 men, will plant an acre on Norway pines as a reforestation demonstration on the farm of William Bentley, Dekorra.

Kenosha—Right on the heels of the prohibition of the Charleston in Kenosha dance halls came a friendly injunction from the county district attorney prohibiting dancing in public dance halls.

Wisconsin Rapids—The wood property committee of the Wood County board has been authorized to make an investigation of the feasibility of establishing a county fire department to be on duty permanently.

Janesville—Numerous applications for fox bounties are being made in Rock county and the animals are being found nearly every day in the northern part of the county.

Manitowish—A four months' trial of bus service to entirely replace street cars here will be made by the Wisconsin Public Service Co. While no definite decision was made at a special meeting of the council, the matter will be left to the street committee with instructions to have the city attorney draft an ordinance covering the proposed change.

BRITAIN IN THROES OF GENERAL STRIKE

Greatest Walkout of Workers Affects 5,000,000 in All Lines of Industry.

London—British labor has instituted the greatest general strike in the history of the nation, seriously affecting the whole of the country.

AIDS PLAYGROUNDS

Herbert L. Pratt, president of the Standard Oil company of New York, is taking an active interest in raising funds for the maintenance of the Playground and Recreation Association of America.

BANKERS URGE U. S. BUREAU OF AVIATION

Government inaction cause of more rapid development abroad, report says.

PRIVATE FIRMS MAY BUILD BOULDER DAM

Applications are filed to use undeveloped site.

WASHINGTON BRIEFS

The national crime commission, after investigation covering a period of nine months, has concluded there is no panacea for crime, but that application of remedies rests with individual states and individual citizens.

WASHINGTON BRIEFS

The national crime commission, after investigation covering a period of nine months, has concluded there is no panacea for crime, but that application of remedies rests with individual states and individual citizens.

WASHINGTON BRIEFS

The national crime commission, after investigation covering a period of nine months, has concluded there is no panacea for crime, but that application of remedies rests with individual states and individual citizens.

WASHINGTON BRIEFS

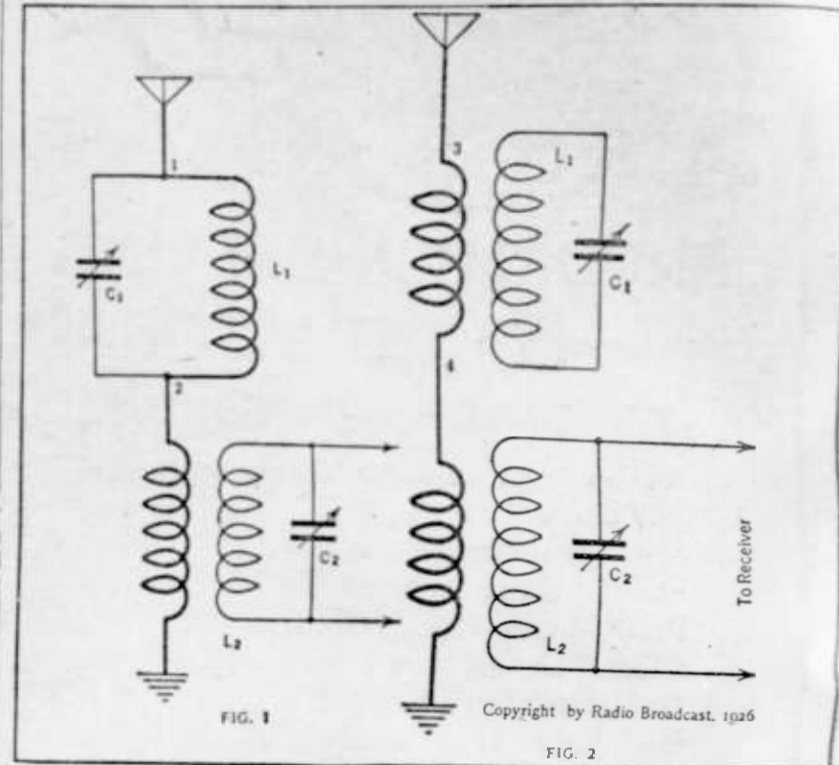
The national crime commission, after investigation covering a period of nine months, has concluded there is no panacea for crime, but that application of remedies rests with individual states and individual citizens.

WASHINGTON BRIEFS

The national crime commission, after investigation covering a period of nine months, has concluded there is no panacea for crime, but that application of remedies rests with individual states and individual citizens.

WASHINGTON BRIEFS

The national crime commission, after investigation covering a period of nine months, has concluded there is no panacea for crime, but that application of remedies rests with individual states and individual citizens.



Wave Trap Will Cut Out Loud Locals—The Conductively Couple Form and the Inductively Coupled.

Due to the widespread increase in power of many of our broadcasting stations, the need for some sort of apparatus capable of cutting out strong interfering stations, is becoming felt more and more.

Methods of Operation.

There are several methods by which these traps might be operated. Fig. 1 shows the most common method. In the drawing, L1, C1, constitutes the antenna circuit and the antenna coil, such as a toroid.

Some Radio Figures

There are about 1,000 broadcasting stations in the world, of which 538 are in the United States.

