

Classified Ads Bring Results—Try One Work Our Specialty

ENTERTAINMENT GIVEN BY INTERMEDIATE AND PRIMARY ROOMS

Reports of the primary and intermediate rooms, under the direction of...

- List of names and descriptions of events for the primary and intermediate rooms, including 'The Little Black Boy', 'The Little Black Boy', etc.

Wayne Center, St. Michaels, Cedar Lawn, and other local news items and social reports.

BUYS KEWASKUM ELECTRIC SHOP

A deal was closed here last week whereby Leo Skupniewitz purchased the Kewaskum Electric Shop including the entire stock from Harold Petri.

GEIDEL-ZUEHLKE WEDDING

The Ev. Peace church was the scene of a very pretty wedding on Thursday afternoon, May 14, 1925, at 2:30 o'clock.

Marion Davies in 'Janice Meredith', a play presented at the opera house, depicting the life of a woman during the American Revolution.

DUNDEE

Marion Gilboy has a new four-door Ford sedan. Miss Ida Blodgett was a Kewaskum caller Saturday.

METHODIST EPISCOPAL CHURCH

Sunday, May 17th. Bible Class and Sunday school 9:30 a. m. W. W. Hamlyn, Supt. Lesson 'How Saul Was Converted'.

CELEBRATE 40th WEDDING ANNIVERSARY

A large number of relatives and friends gathered at the Wm. Hess hall, New Edge, last week Tuesday evening.

AUCTION SALE

Having retired from cement work, I will sell at Public Auction on Wednesday, May 27, beginning at 1 p. m.

COUNTY TO GUARD AGAINST SMALL-POX EPIDEMIC

The Washington County Health Committee met with the County Nurse and the Health Officers of the county on Thursday, May 7th, for the purpose of discussing plans for a county-wide vaccination.

MARION DAVIES IN 'JANICE MEREDITH'

'Janice Meredith', Marion Davies' new picture of Paul Leicester Ford's romance of the days of the Revolution will be shown at the Opera House on Sunday, May 17th.

AMUSEMENTS

Sunday, May 17.—Grand Prize Card Party at St. Michaels. All are invited to attend. May 19, 17.—Grand dance at the Round Lake Pavilion.

GRAND PRIZE CARD PARTY AT ST. MICHAELS

Under the auspices of the Christian Mother's Society a grand prize card party will be held at St. Michaels 8 p. m. Sunday evening, May 17 at 8 o'clock.

CONFIRMATION IN THE TOWN OF SCOTT

Next Sunday, May 17th, the following class will be confirmed in the Evangelical Lutheran, Immanuel church in the town of Scott: Alvin Staeger, Elden Lavrenz, Frank Koepke, George Glander, Raymond Vetter, George Theis, Elmer Brusowitz, Aleta Klug, Gladys Klug and Letta Wilke.

NOTICE TO DOG OWNERS

Anyone owning dogs, and allowing them to run at large, killing rabbits which were planted in the surrounding woods this spring, had better keep them at home, or same will be shot on sight for killing the cotton tails.—Advertisement.

HOME-TALENT REHEARSING HARD

The rehearsals for the Class Play, to be staged by the Senior Class of the Kewaskum High School are nearing completion. The play, 'Anne What's-Her-Name', a three act mystery, is full of 'pep', anxious moments and comedy glances from start to finish.

SEE "BROKEN BARS" AT ST. MICHAELS, MAY 24, 26, 28

The cast presenting 'Broken Bars', the four act drama staged by the St. Michaels Dramatic club, is made up of good talent, talent well known within this community from past appearances on the stage.

CARD OF THANKS

We wish to express our appreciation and sincere thanks to all who aided us at the time of our loss, at the death of our dear departed mother, Mrs. Laura Schaefer.

JACOB MARTIN

Jacob Martin of Bloomer, formerly a resident of Washington county, and a brother of Andrew Martin Sr., of this village and Frank Martin of the town of Auburn, died suddenly while on his way home after attending a funeral near Bloomer.

CELEBRATE 40th WEDDING ANNIVERSARY

A large number of relatives and friends gathered at the Wm. Hess hall, New Edge, last week Tuesday evening.

AUCTION SALE

Having retired from cement work, I will sell at Public Auction on Wednesday, May 27, beginning at 1 p. m.

MANY PROMINENT PEOPLE PASS TO UNKNOWN LAND OF ETERNITY

Relatives and friends here were shocked to learn of the sudden death of Mrs. Laura Schaefer who, in the still of the night, passed peacefully into eternal sleep at the home of her daughter, Mrs. Albert Schaefer at Milwaukee, on Sunday, May 10, 1925 at 2 o'clock a. m.

BEREAVED

Out of tribute to the memory of the deceased we print this poem which was contributed to the Statesman by her some years ago and which in part reads as follows:

SOUTH ELMORE

Mr. and Mrs. John Jung and family were Jackson callers Sunday. Mr. and Mrs. R. Boettcher and family spent Sunday at West Bend.

CEDAR LAWN

T. L. Davison of Fond du Lac visited here last Thursday. Frank Brath, assessor of the town of Ashford called here Friday. C. M. Hahn of Burlington, Wis., was a pleasant caller here Thursday.

ST. MICHAELS

Mrs. Wm. Gehl and Jacob A. of Bloomer, who together with his wife survive. Also surviving are two sisters and four brothers, as follows: Mrs. Henry Werner, Henry and Louis Martin of this city, Mrs. John Fenwick of Marathon county, Andrew of Washington county and Frank of Fond du Lac county.

CELEBRATE 40th WEDDING ANNIVERSARY

A large number of relatives and friends gathered at the Wm. Hess hall, New Edge, last week Tuesday evening.

AUCTION SALE

Having retired from cement work, I will sell at Public Auction on Wednesday, May 27, beginning at 1 p. m.

Subscribe for the Statesman...

Quality Seed Corn At Special Low Prices. Buy Now.

Golden Glow
Nebraska grown corn, approximate
germination 96, a bushel..... \$3.10

Silver King
or No. 7 corn, Nebraska grown,
a bushel..... \$3.10

Wisconsin No. 8
or Nebraska grown,
a bushel..... \$3.10

Fooder Corn
Red cob,
a bushel..... \$2.25

Yellow Dent Corn
Wisconsin grown, 96 germination,
a bushel..... \$4.00

Rape Seed
Dwarf Essex,
a pound..... 10c

Sweet Corn
Golden Bantam,
a pound..... 20c

No-Milk Calf Food
Feed it in Place of Milk.
100-pound sack, at..... \$4.95
50-pound sack, at..... \$2.75
25-pound sack, at..... \$1.60

National Chick Mash
Made with buttermilk. Good for
little chicks, 25-pound sack..... \$1.35

WINGOLD FLOUR
None Finer Milled.
Quality always uniform. Every sack guaran-
teed or money refunded. \$2.65
54-barrel sack.....

Checker Insect Destroyer
Kills cabbage worms, etc.,
a can..... 25c

Wax Beans, a pound 20c

We Buy Eggs, Potatoes, Beans, Etc., Etc.

Oatmeal for little chicks..... 5c
90-pound bag..... \$3.75
Scratch Feed, Chick Feed. Special prices
in bag lots.

Finest Cane Sugar, 100-lb. Bag \$6.50

The Poull Mercantile Co.

Store Open Saturday Evenings WEST BEND, WIS. Store Open Saturday Evenings

Choose one of these tires according to your needs

HERE are two tires that give the car owner a chance to choose intelligently, according to his requirements.

U. S. Royal Cord—the extra service tire. Built of Latex-Treated Web Cord—and the standard of tire value today.

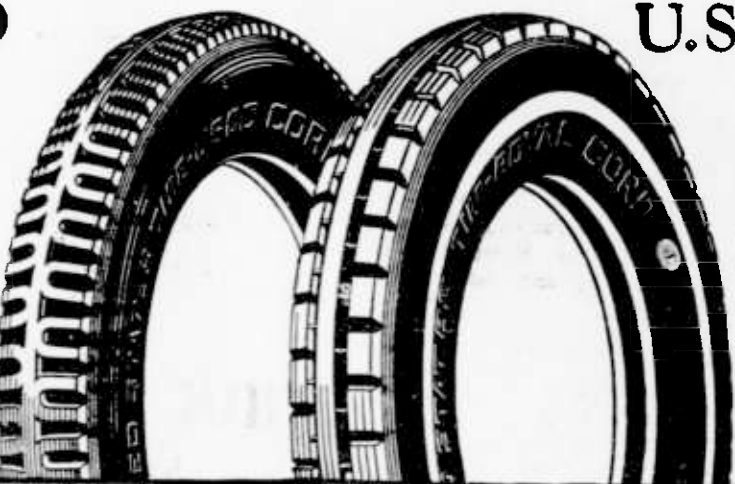
USCO Cord—the high-value medium price tire. A full money's worth of dependable service and cash value.

Both made by the U. S. Rubber Company and carrying the trademark of their makers as a warranty of quality.

United States Tires are Good Tires

USCO Cord

In 30 x 3 inch and 30 x 3 1/2 inch clincher, and 30 x 3 1/2, 32 x 3 1/2, 31 x 4, 33 x 4 and 34 x 4 inch straight side.



U.S. Royal Cord

In all sizes from 30x3 1/2 inches up, Royal Cord low pressure balloons for 20, 21 and 22 inch rims, and Royal Cord Balloon-Type Tires.

Buy U. S. Tires from

Service Motor Co., Kewaskum

GETTING UP NIGHTS

Is One of Nature's Danger Signals. A Healthy Bladder Does Not Act at Night. Irritation, excessive acidity or abnormal deposits may be the cause. It needs cleansing. Lihitiated Buchu (Keller Formula) acts on the kidneys and bladder as Epsom Salts on the bowels. R. D. Neblett, 10 Oak St., Battle Creek Mich., says: "For three years had to get up three times at night. Lihitiated Buchu (Keller Formula) helped me in two days. I now do heavy work." It isn't a patent medicine. The formula is on the label. Sold by leading drug stores or Keller Laboratory, Mechanicsburg, Ohio.—Locally by Edw. C. Miller, Druggist.

MARKET REPORT

Plymouth, Wis., May 8.—On the Wisconsin cheese exchange today, 1,800 boxes of dairies were offered and all sold as follows: 1,400 at 21c and 400 at 21 1/2c.

—For a social pastime attend the card party to be held at the Holy Trinity school hall on Tuesday evening given by the ladies of the Holy Trinity church.

Subscribe for the Statesman now

WAUCOUSTA

F. W. Buslaff made a business trip to Fond du Lac Saturday. Harley Loomis of Sheboygan spent Sunday at his home here. Mrs. M. Flanagan of Campbellsport spent Sunday with relatives here. Adolph Gerlich and Philip Haas of Fond du Lac were callers here Sunday. Mr. and Mrs. A. C. Conrad of Fond du Lac spent Sunday with relatives here. A. C. Buslaff and son Arthur were business callers at Fond du Lac Saturday. Mrs. H. Bartelt spent a few days with her daughter, Mrs. H. Ketter in Auburn.

Mr. and Mrs. George Rudolf of Milwaukee spent Sunday at the A. C. Buslaff home.

Fred Andler and daughter Veri and son Walter of Kewaskum spent Sunday with relatives here.

Mr. and Mrs. Edw. Steiner and daughters Myrtle and Lucile of Lodi were callers here Sunday.

Edw. Ford and brother John Ford and wife and Edmund Buslaff of Hartford spent Sunday with their parents here.

Sub scrib e for the Statesman now

AUBURN

Mr. and Mrs. Gust. Dickmann spent Sunday at West Bend. Charlotte Glass and Elmer Sook spent Sunday with Erna and Russell Dickmann.

Mr. and Mrs. J. F. Uelmen and family spent Sunday with Albert Uelmen and family.

Mr. and Mrs. John Gatzke spent Friday evening with Mr. and Mrs. Alex Sook.

Mr. and Mrs. J. F. Uelmen and family spent Sunday evening at the Ketter brothers home.

Mr. and Mrs. Barney Morgan and family and Mrs. Mary Morgan and daughter Irene of northern Wisconsin, spent Saturday with Alex Sook and family.

Mr. and Mrs. Clarence Wilkens and daughter Audrey, Mrs. E. F. Schnurr and daughter Bernice and Walter Dickmann of West Bend spent Thursday evening with Gust Dickmann and family.

—Capt. Wm. Sells trained wild animals and the Sterling Bros., combined shows exhibited here on Tuesday afternoon and evening to a good sized crowd. The shows were clean-cut and afforded good wholesome pastime to all who attended.

BEECHWOOD

Tobias Heberer called here Monday. Otto Mebler was a Beechwood caller Monday.

Koch's were to Cascade Monday on business.

Miss Marie Schultz is spending some time at West Bend. Fred Hintz transacted business at Kewaskum Monday.

Frank Schroeter was to Kewaskum Tuesday on business. Jac. Herring Sr. was on the sick list, but is improving at this writing.

Mr. and Mrs. Harry Engelman of Cascade called on Mrs. H. Glass Friday.

Mr. and Mrs. Martin Heise and family were Plymouth visitors Sunday.

Mrs. L. J. Esher assisted Mrs. Walter Hammen at a wall papering bee last week.

Grand prize card party at St. Michael's on Sunday evening, May 17th. Everybody is invited.

Martin Krahn called on his brother Paul Krahn and family near Boltonville Tuesday afternoon.

Herman Krahn spent a few days with his son Paul Krahn and family near Boltonville this week.

Mr. and Mrs. Ed. Krenstainger and family entertained relatives from Milwaukee Saturday and Sunday.

Mr. and Mrs. Oscar Reinke of Plymouth were callers at the Edw. Seefeld home Saturday and Sunday.

Miss Edith Reisher and Rich. Heider of West Bend called on Mr. and Mrs. John Held one day last week.

Mr. and Mrs. Chas. Bleck are having their residence decorated and painted by Lawrence Schultz and Ray Stahl.

A large number of relatives and friends helped Ed. Seefeld celebrate his birthday anniversary at dinner Sunday at his home. A pleasant time was had by all and all the guests hope Mr. Seefeld will have many happy returns of the day.

Mr. and Mrs. Martin Krahn and Mrs. F. Schroeter and daughter helped Elroy Glass celebrate his sixth birthday anniversary Monday evening. A dainty lunch was served at 10:30. Elroy was presented with several gifts and the guests departed wishing him many more happy birthdays.

The play "The Road To The City", followed by a dance given at Koch's hall Saturday evening was attended by a very large crowd and enjoyed by all. Everyone came to help boost their home town young people in spite of the inclement weather. Let us hope we will soon see them give another play in the near future.

The dedication celebration at St. John's Evangelical church Sunday afternoon and evening was a decided success in every way. Rev. Erber of Fillmore and Rev. Grunwald of Wauwatosa were the speakers in the afternoon. Rev. Schalow of Fond du Lac, Rev. Otto of West Bend and Rev. Barth of Kewaskum spoke in the English language in the evening. The choir sang two selections in the afternoon and three selections in the evening. A violin duet played by Winifred Walwood and May Vorpapel accompanied by Miss E. Flunker, was also one of the interesting numbers on the evening program. A supper was served at Koch's hall to all visitors and home folks. The church was beautifully decorated with home grown plants and violets. Everyone pronounced it a very enjoyable celebration of the church.

TOWN SCOTT

Miss Leon Pesch spent a few days with Jake Harter and family at Five Corners.

Mrs. Fern, Ramel and Joe Moldenhauer spent Sunday with relatives at Milwaukee.

Grand prize card party at St. Michael's on Sunday evening, May 17th. Everybody is invited.

Mr. and Mrs. Math. Schludweiler of St. Michaels, Joe and Mike Schludweiler of East Valley spent Sunday with John J. Fellenz and family.

Mr. and Mrs. August Brusevitz, Mrs. Chas. Lillege, Wm. Ramel, Joe Moldenhauer and Viola Lillege spent Thursday evening at the home of Fred Haack and family.

A class of children will be confirmed at the Emmanuel Luth. church by Rev. G. Karies, Sunday, May 17. The class consists of the following: George Glander, Raymond Vetter, George Theis, Frank Koepke, Elmer Brusevitz, Leta Wilke, Aleta Klug and Gladys Klug.

The following spent Sunday with Mr. and Mrs. Anton Backhaus: Mr. and Mrs. Otto Voss and son of Chicago, Mr. and Mrs. Otto Luedke and son and Milton Backhaus of Milwaukee, Mrs. Herman Klug Sr., Walter Klug and family, Ed. Klug and family, Mrs. Koepke and son Ruddy, Mr. and Mrs. Edw. Wagner, Emil Doman and son, Mr. and Mrs. Chas. Bleck, Mr. and Mrs. Henry Krahn and family, Mr. and Mrs. Theo. Otto and daughter Gertrude, Mr. and Mrs. Paul Leirman and family, Mrs. John Klug and family and Herman Klug.

THE INDIAN MOTORS PLAY AT MAYVILLE SUNDAY

The Indian Motors, semi-pro champions of Milwaukee, with "Lefty" Armstrong on the mound will come to Mayville determined to uphold the fine reputation they have earned by defeating the best teams in and around Milwaukee. The Milwaukee team is a well balanced outfit and will give any team a run for their money. The Oshkosh team won over the Indian Motors in the ninth inning at Oshkosh last Sunday 3 to 2 by a great finish. The Oshkosh team has beaten the Mayville team twice this season and from comparative scores the game ought to be worth going miles to see.



Service and Satisfaction Guaranteed

ANNOUNCING OUR

GREATEST DRESS SALE

Started Thursday, May 14th
MODELS FOR EVERY OCCASION

Lovely Dinner Frocks.
Stunning Evening Frocks.
Swagger Street Frocks.
Practical Business Frocks.
Smart Sport Frocks.
Gay Party Frocks.
And Graduation Frocks.

The Fabrics are the Finest

Beaded Georgettes. Chiffons. Flat Crepes. Lace and Georgette. Canton Crepe Elizabeth. Bordered Prints. Twills. Flannels. Etc.

\$10--\$15--\$23

Come Early for Your Best Choice. Over 300 Styles to Choose From

9 Big Days for You---50 BARGAIN SALE

Bargains in Every Department. Look for Our Large Closures

CLASSIFIED ADS

Our rates for this class of advertising are 5 cents a line, no charge less than 25 cents. Count six words to the line. Cash or unused stamps must accompany order.

For Sale.

FOR SALE—Horse, very cheap, good worker and fine road horse. A real bargain.—A. Bathke, R. D. 1, Kewaskum. Phone No. 823.—Advertisement 4 25 4t.

FOR SALE—Ancona Setting Eggs, from exceptionally heavy layers. Shepard strain, beautiful birds. Price reduced to \$1.00 per setting or \$5.50 per 100 eggs.—A. Bathke, R. D. 1, Kewaskum. Phone 823.—Advertisement 4 25 4t.

FOR SALE—Registered Holstein Bulls. Price very cheap. One of serviceable age. One calf, almost pure white from very heavy milking cow. A big bargain.—A. Bathke, R. D. 1, Kewaskum. Phone 823.—Advertisement 4 25 4t.

FOR SALE—Baby buggy, good condition. Inquire of Melvin Wendelborn, Kewaskum.—Advertisement.

FOR SALE—Five shares stock Farmers & Merchants State Bank, Kewaskum, Wis. Assessment paid.—\$75 per share. Address "K" Statesman Office, Kewaskum, Wis.—Advertisement.

FOR SALE—Rabbit dogs. Well bred. Inquire of Jac Schlosser, Kewaskum, Wis.—Advertisement. 5 16 2t.

Miscellaneous

FOR SERVICE—A full blooded Percheron Stallion. Color black with white stripe. The horse was purchased from Mayville Stock Farm last year. For further particulars call on Barney Strohmeyer, Kewaskum R. 3.—Advertisement. 4 25 4m.

FOR RENT

FOR RENT—Pasture for young stock. For further particulars inquire of Richard Trapp, New Prospect.—Advertisement. 5 2 3t, p.

REMOVE YOUR GOITRE

Mrs. Jenkins Reduced Her Neck Five Inches She Also Relieved Smothering, Choking and Nervousness. She Will Tell How.

NOTE: It would be illegal to publish these statements if not true. Mrs. H. M. Jenkins, 1613 Banks Avenue, Superior, Wisconsin, says she will gladly tell or write of the relief from her goitre by using Sorbol-Quadruple, a stainless liniment. Get more information from Sorbol Company, Mechanicsburg, Ohio, drug stores everywhere or locally at Otto B. Graf, Kewaskum, Wis.

NORTH ELMORE

Mrs. Math. Rohlinger fractured her ankle Thursday.

Miss Mary Senn spent Sunday with Campbellsport friends.

Ewald Schuermann of Franklin Mission House, spent Sunday with his parents here.

Miss Frieda Feuerhammer spent a pleasant Monday evening with Miss Ellen Ziesmer.

Miss Ellen Ziesmer and Lawrence Keyes spent a pleasant Sunday evening at Cedar Lake.

Arthur Feuerhammer of New Fane spent Sunday evening with Mr. and Mrs. Henry Feuerhammer. Mr. and Mrs. John Feuerhammer spent Sunday at the Lawrence Glor Sr., at Fond du Lac and with Melvin Buettner who is confined at the St. Agnes hospital.

Farmers & Merchants State Bank

Kewaskum, Wisconsin

Commercial and Savings

3% Interest Paid on Time Deposits

A Community Bank

JOHN MARX

Groceries, Flour and Feed
Kewaskum, Wisconsin

Funeral Parlors at 2326 Center St. Phone--Kilbourn

Frank A. Zwaska UNDERTAKER

Especialy Equipped to Ship Bodies from Hospitals

MILWAUKEE, WIS.

Our Classified Ads Cannot be Beat Give Us a Chance to Prove It.

Good Equipment Makes a Good Farmer Better



McCormick-Deering Corn Cultivators

Many farms are those on which most work is done in least time, with least labor. Try to increase your yield per acre...

The Two-Row Cultivator is Your Answer.

Never before has the value of the two-row cultivator been more evident. This year every short cut must be used, yet the farming job must be done better than ever. You can do this with a two-row cultivator...

A. G. KOCH, Kewaskum, Wis.

KEWASKUM STATESMAN HARBECK & SCHAEFER, PUBLISHERS



SAYS:

"See Mrs. K. Endlich's ad elsewhere in this paper."

TRAIN SCHEDULE GOING SOUTH and GOING NORTH table with times and routes.

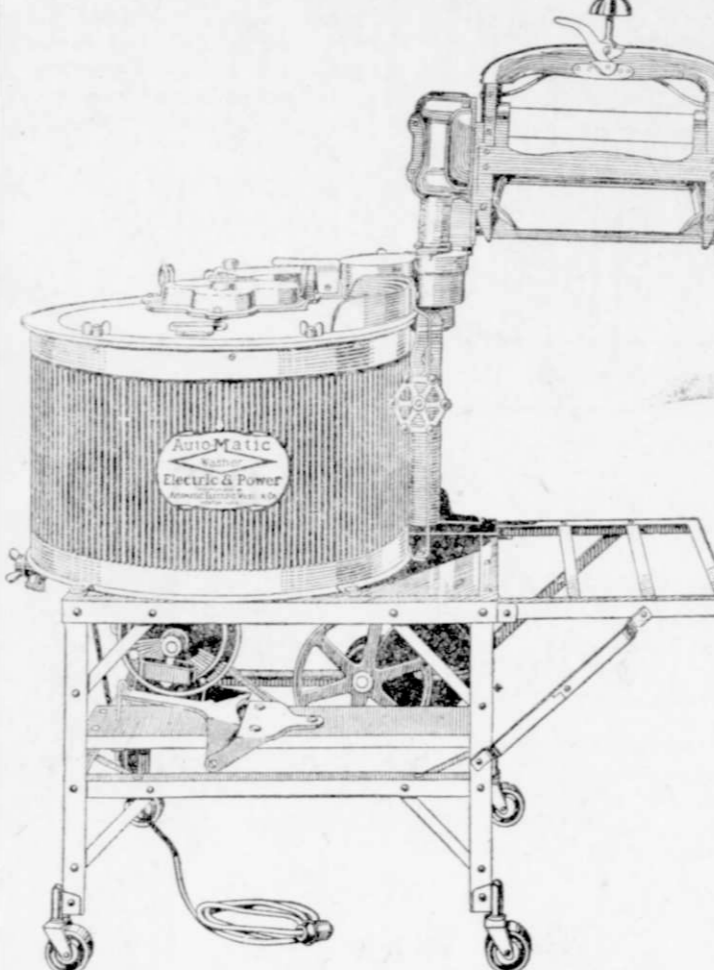
Saturday, May 16, 1925

LOCAL HAPPENINGS

Edw. F. Miller was a Milwaukee caller Monday. Miss Lydia Guth spent the week-end at Milwaukee. Clemens Reinders was a Plymouth caller Monday.

L. P. Rosenheimer, Otto E. Lay and B. H. Rosenheimer were at Milwaukee Monday evening, where they attended a Shrine meeting. The Misses Mildred and Angeline Herbst and Kathryn and Dorothy Wagner of Barton spent Sunday with Mr. and Mrs. Arnold Hansen.

HAVE YOU SEEN THE NEW AUTOMATIC WASHING MACHINE



- Power, wood tub and wringer, folding bench \$65.00
Power, copper tub, metal wringer, folding bench, aluminum lid \$85.00
Electric Equipped Machines
Wooden tub and wringer, folding bench \$85.00
Copper tub, metal wringer, with bench \$113.00

Let us figure with you, and allow us to demonstrate the automatic- If you are not satisfied after the trial, you need not take the machine.

Convenient Terms if You Want Them A Wash Machine saves time and labor—Cost of operation is small.

L. ROSENHEIMER Kewaskum, Wisconsin

ATTEND THE MOVIES Sunday Evening, May 17 MARION DAVIES Janice Meredith 11-REELS-11

Story for young and old, who not only like a thrilling tale, but believe in the traditions and future of America. A romance woven around the American Revolution.

SEE Washington Crossing the Delaware. Paul Revere's Famous Ride. Battle of Trenton.

And Many Other Historically Famous Scenes Special School Children's Matinee at 2:30 p. m. Evening Show at 8:00 P. M.

Every school child should see this picture, taken direct from American History.

SALE ON SHOES MEN'S WORK SHOES at \$1.95 ALL LEATHER

- Men's Oxfords and Dress Shoes, Ladies' Oxfords and Dress Shoes, Boys' Shoes at a 10% Discount
Men's Silk Hose, at 60c
Ladies' Silk Hose, in all colors, at 98c
Men's Cotton Hose, 2 pair for 35c

From May 9th to May 20th Weber's Shoe Store 'Shoes for the Family' Kewaskum, Wisconsin

The Kewaskum Aluminum factory was closed several days this week on account of a break down at the power house. Mr. and Mrs. N. J. Mertes and Mrs. Charles Groeschel spent Sunday as guests of relatives at Port Washington.

A number of complaints have been reported at this office the past week in regards to dogs running at large in gardens, where they not only trample down the freshly sprouted garden vegetables, but also scratch holes in the ground. It no doubt is advisable for dog owners to tie their dogs up at home until such time when the growth of garden vegetables has fairly well matured, and no damages can result from dogs trampling over them.

Ladies Attention OUR PRICES SERVICE WE RENDER

- Marcel Waving \$.75
End Curling .25
Retrace—4 days .50
Water Waving 1.00
Hair Dress .25
Shampoo—Long Hair .75
Shampoo—Bobbed Hair .50
Scalp Treatment with Violet Ray .75
Hot Oil Treatment with Violet Ray .75
Singe or Clip .50
Coarse Pore Astringent 1.00
Henna Rinse .75
Golden Glint Rinse .25
Lemon Rinse .25
Blue Rinse .25
Marinello Facial Massage 1.00
Wrinkle Mask 2.00
Face Bleach 2.00
Dry Skin Treatment 1.00
Bobbie .40
Eye Brow Pluck .50
Manicure .75
Hair Work of All Kinds
Experienced Operators in Charge
Soft Water Used Exclusively
Shop Open Every Day Except Sundays. Open Friday and Saturday evenings.

AGAIN READY TO DO REPAIR WORK AT THE OLD STAND

Gust Konitz, who was taken critically ill about a year ago and had to be removed to a hospital where he underwent an operation, and who was forced to sell his business, favorably known as the Konitz Shoe Store, has now fully recovered from his illness and is again ready to do all kinds of repair work at the rear part of building of Weber's Shoe Store.

LOCAL MARKET REPORT

Table with market prices for winter wheat, wheat, barley, rye, oats, eggs, un-washed wool, beans, hides, cow hides, horse hides, honey, potatoes, live poultry, old roosters, hens, and spring chickens.

A Check Book

If you have a checking account, your whole cash capital is inside your ink-well or fountain pen. You always have the exact change you need. You can make large or small payments readily from hand to hand, and you can make them just as readily clear across the country. Strengthen your credit by having a checking account with this large conservative bank.

Bank of Kewaskum Kewaskum, Wisconsin

Over Fifty Years of Successful Banking



GIFTS for Weddings - Anniversaries and Birthdays We invite you to come to our store, you will find many things suitable for Weddings, Birthdays and Anniversaries. 'You Can Rely on Our Jewelry' MRS. K. ENDLICH, KEWASKUM

SALE

Canton

rose From

SALE Circular

ants

X ed asin

Kilbourn 1318

ka

Hospitals

Beaten

RADIO

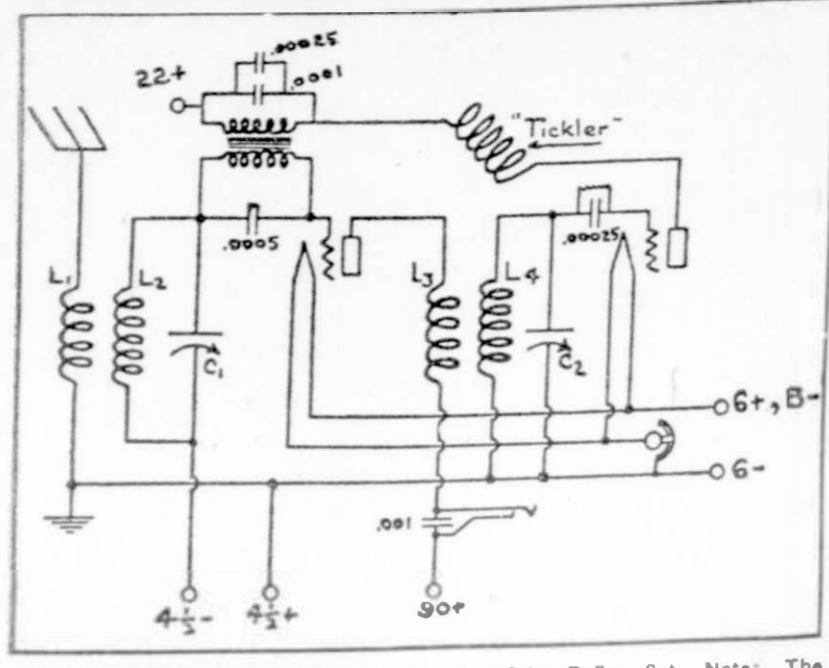


Fig. 2—Showing Wiring Diagram of the Two-Tube Reflex Set. Note: The 22 1/2 Post is at the Top of the Diagram.

By R. C. HITCHCOCK. With this two-tube set stations 200 miles away can be heard consistently on the loud speaker.

Selectivity is particularly good, and the two main controls make the operation as simple as is consistent with fine tuning. A panel about 7 by 24 inches would be suitable, and if a cabinet is wanted, it may be 7 or more inches deep.

Fig. 3—Showing Construction Details of Ticker Coil Mounting.



Regenerative Detector. A regenerative detector is generally considered to be one of the most economical detectors, and it has in this case the added advantage of coupling after a radio-frequency amplifying tube, so local radiation is prevented.

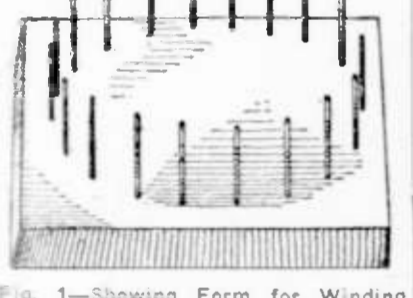


Fig. 1—Showing Form for Winding Basket-Weave Coils.

plate circuit serves to feed back energy into the grid circuit for regeneration. The placing of the transformer is not critical. A type 200 tube was used for a detector, and if a different type is used the value of the condenser shunted across the primary of the audio transformer may need to be a slightly different value.

Things Worth Knowing About Radio Equipment

Never connect an aerial to an electric light pole. Avoid sharp turns with bushing wires and bend only with round-nose pliers. A loud-speaker extension can be made without affecting the operation of the set itself.

variable condenser, C-2. With this connection the first condenser C-1 has no effect on the tuning of the set, and the idea is simply to familiarize with the tuning of the detector tube circuit and the working of the tickler. With this connection it is probable only the longer wave stations will be heard, as the wave length of the antenna is added to that of the set.

If stations are heard satisfactorily, connect the set as the wiring diagram shows, with the antenna wire on the first fifteen-turn coil. This makes a two-circuit set out of the first tube, one of the circuits being tuned with C-1, and a three-circuit tuner out of the second tube, two of the circuits being tuned—one with the condenser C-2 and the other with the tickler. If you do not hear stations clearly with the antenna on the second tube's coil, try turning the tickler around, as it may be connected up wrong; simply rotate the tube 180 degrees.

The largest post or connection on a battery is always the positive. A good ground and aerial are the basis on which an efficient set can be installed.

Receiver's Distance Range. The distance range of a receiver depends upon the resistance in the antenna system of the receiver as well as the power radiated by the transmitter. This means that the antenna should be made of heavy wire, well soldered, as high as possible, with direct lead-in and as short a ground connection as possible.

TOGS FOR THE FLOWER GIRL; BRIDE'S SUMMER TROUSSEAU

FROM the pictorial viewpoint, almost as important as the bride herself is the little flower girl who attends her. Since the mission of this adorable miss is "to add to the picture" not only must she be betrothed in charming fashion, but she must contribute to the color symphony expressed in the wedding scene.



Helps the Wedding Picture.

the artist who produces a lovely picture, it is not the medium used to produce the masterpiece, but is genius that counts. Which applied to the styling of picturesque costume for the tiny flower attendant means that the modest home dressmaker who has the fire of imagination within her and the cunning to do will create a frock of an enchanting grace for the wee flower girl from inexpensive yet colorful cotton voile or organdie as will Madame-of-renown who insists on using only fabrics most costly.

This is especially true in regard to the exquisitely colorful voiles shown this season. They come in loveliest flower colorings, sheer to the point of transparency. Best of all they are washable, they cost but a few cents a yard. As to effectiveness, not even the most expensive silks can surpass them.



Ensemble of Crepe Faille.

long coat to match. If, however, one wishes to begin the journey in a costume of simple elegance, yet of more formal aspect, why not choose one of the new stylish silk waives? The mode enthusiastically endorses crepe faille, crepe satin and bengaline.

Effective Plan for Inspection

Movement of Live Stock Facilitated and Spread of Disease Prevented.

To facilitate the movement of live stock in interstate commerce and at the same time prevent the spread of diseases and various animal pests, the United States maintains an effective system of inspection. The results of this public service are described by Dr. John R. Mohler, chief of the bureau of animal industry, United States Department of Agriculture, in his report for the last fiscal year.

Cattle Inspected.

Cattle numbering 21,258,393 were inspected at market centers and 21,089 of them were dipped in suitable solutions in order that they might continue interstate commerce.

Bureau inspectors tested 41,419 cattle for tuberculosis at public stockyards where they had been received for interstate movement.

Bureau employees also inspected 52,565,921 swine and supervised the immunization and disinfection against hog cholera of 509,567 for shipment to country points for feeding and breeding purposes.

In connection with experimental work to control hemorrhagic septicemia, veterinary inspectors vaccinated 151,457 feeder and stock cattle.

Horses and mules inspected numbered 12,214, of which 5,887 received mallein tests.

Bureau employees supervised the cleaning and disinfection of 74,558 cars, of which 29,401 had carried animals affected with communicable diseases.

All ruminants and swine received at public stockyards were carefully examined for foot-and-mouth disease by experienced veterinary inspectors.

In addition to supervising the interstate movement of live stock, bureau inspectors also perform similar duties in connection with the importation and exportation of domestic animals.

Such inspections, during the fiscal year ended June 30, 1924, covered the movement of more than 390,000 head of stock.

Sweet Clovers Adapted to Various Conditions

The sweet clovers are adapted to a wide range of soil and climatic conditions. They are among the hardiest plants grown and succeed where many other plants fail.

The ordinary procedure in securing a stand of sweet clover is to sow it in the spring of the year with a nurse crop just as most of the other clovers are sown.

For an emergency hay crop, biennial white will be the most universally satisfactory, though the annual white is also popular, particularly in the South.

The ordinary procedure in securing a stand of sweet clover is to sow it in the spring of the year with a nurse crop just as most of the other clovers are sown.

For an emergency hay crop, biennial white will be the most universally satisfactory, though the annual white is also popular, particularly in the South.

Very Desirable Hay for Various Farm Animals

Out and put hay well cured makes very desirable food for dairy cows or for sheep. It is also satisfactory as horse feed, though rather soft for horses that are required to do hard work.

Destroying Poison Ivy Vines Along Fence Row

Poison ivy along fence rows and in similar places can be destroyed by cutting close to the ground and saturating the soil with strong salt solution, or, better still, with waste oil from the tractor or automobile.

Pretty and Practical

Pajamas of cotton broadcloth in wide stripes in charming color combinations are an excellent choice for the school or college girl.

Means of Obtaining Seed for Planting

Longer, Heavier Ears With Big Cobs Are Best.

The question of a possible relation between the physical characters of seed ears and productiveness is an important one in corn breeding and one which has been given much attention, says the United States Department of Agriculture.

Improvement in Quality of Seed Help to Crops

The Department of Agriculture estimates that more than 14,000,000,000 pounds of seed, exclusive of seed potatoes, seed sugar cane and other vegetable planting stocks are sown annually in the United States.

In connection with experimental work to control hemorrhagic septicemia, veterinary inspectors vaccinated 151,457 feeder and stock cattle.

Champion is outselling throughout the world because it is the better spark plug.

Champion X for Ford's Six. Best for all other cars. More than 95,000 dealers sell Champion. You will know the genuine by the distributor's name.

\$715

World's Lowest Priced Sedan with Sliding Gear Transmission EASY TERMS OVERLAND SEDAN DEALERS EVERYWHERE

MONARCH COCOA

The blend is what makes this cocoa so unusually good. Try MONARCH today and see how good cocoa really can be.

REID, MURDOCH & CO. General Office: Chicago, U.S.A. Branches: Boston - New York - Pittsburgh

QUALITY FOR 70 YEARS



Champion Spark Plug Co. Toledo, Ohio. Windsor, Ont., London, Paris



Lets be conservative and truthful!

Being just as conservative as the quality of MonMotor Oil permits, submit these facts to every car owner.

MonMotor Oil is better than all of all oils on the market. MonMotor Oil is equal to the other 5% of all oils.

MonMotor Oils & Greases

That one-fourth responsibility of Cabinet Baking Powder adds taste and body to a marriage, wedding cake because of its slow rising quality, which makes it unusually satisfactory because of the slow even necessity for rising?

Sure Relief FOR INDIGESTION



6 BELLANS Hot water Sure Relief BELLANS INDIGESTION 25¢ and 75¢ PACKAGES EVERYWHERE

OUR MAGAZINE SECTION

Interesting Features for the Entire Family

Something to Think About

By F. A. WALKER

BEING NEIGHBORLY

THOSE attractive communities nestled here and there in quaint rustic places, where the bees are humming, the wild grasses are waving in the passing breeze, and the tinkling of bells is heard in the purple pastures, tell a beautiful story of peace and content.

Often far away from the clamorous haunts of mortals where gold is god, driving, lashing, heaping burdens of care upon gaunt shoulders, stealing from life its sweetest delights, these little hamlets, when one comes unexpectedly upon them, seem to reflect the quietude that we imagine exists among the courts of Heaven.

A few scattering cottages where everybody is neighborly, tell a story of friendliness and sociability of which the nations throughout the world seem quite unfamiliar.

Being neighborly is the simple secret of universal happiness, the panacea of world ills, ruptures and revolts.

Although the happy man feels very kindly toward others, others must reciprocate the feeling to get happiness all around, and this all-around happiness is available to everybody.

Who does not catch something of the thrill of delight experienced by two lovers in the lane, loitering hand and hand?

To them buttercups are as sweet as roses, the sky is always blue, the sun

is perpetually shining and the birds are singing for no one else.

And so it is with the folk in the humble cots, contented with their station in life, pouring praises each day from their hearts which seldom find utterance in words, but stir their souls to sublime emotions.

We may be highly meritorious, we may have the power of a king, the learning of a Meccenas, the wealth of the Indies, but if we are not neighborly we cannot be happy, at peace with others, or escape wrangles, wars of words and murderous intrigues.

If neighborliness does not come out in our behavior toward one another, there is within the soul an unfriendly sentiment, in spite of our affected smiles and assumed good manners.

When once the high places of the world decide to be neighborly and put their decision into actual practice there will be no more "rumbling of cannons and guns," no more killing of brothers and wanton waste of priceless treasures, impoverishing peoples for ages.

(By McClure Newspaper Syndicate)

The Young Lady Across the Way



The young lady across the way says we do many things naturally, without stopping to think about them, through the influence of the subnormal mind.

SCHOOL DAYS



Copyright 1926, McClure Newspaper Syndicate.

The Blossoming Child

By DOUGLAS MALLOCH

WONDERS of Nature all around—And yet the very queerest, The one that folks have always found The strangest and the dearest, Is not afar and somewhere, But in a cradle over there.

For who has watched an opening rose Some country hedgerow under, Has seen its lovely lips unclose, Nor marvel'd at the wonder? But stranger than the woodland wild Is this, the blossoming of a child.

And you who o'er the cradle bend, If you neglect your garden, Shall fail to nourish and defend, What God would ever pardon? A wonder he has given you, And yet a wealth of duty, too.

For you must keep the weeds away, Each tempter that assails it, Must watch the blossom bright and gay With love that never fails it. Oh, what a privilege is this, Life's opening petals thus to kiss!

And it shall poorly bloom or fair, As you shall see your duty, Shall blossom according to your care, A thing of light or beauty, God grant you see the wonder of Your rose, and watch, and lead, and love!

(By McClure Newspaper Syndicate)

Your Last Name

IS IT CHAMBERLAIN?

THIS name belongs to the class of official nomenclature, and like Stewart is derived from what was originally a more humble office than it later came to be. The chamberlain was probably in early times an official attached to the household of a king or lord, though it later came to be restricted to very high judicial office. The name is spelled in various ways in old records, though at the present time the only forms usually found, besides Chamberlain, are Chamberlin and Chamberlen. The spelling Chamberlain is very much more usual than the others. Chamberlayne is a usual form in old records both here and in England.

One of the large families of the name in England claimed descent from the counts of Cantarville, who were hereditary chamberlains of the dukes of Normandy and early Norman kings of England.

During the reigns of the Stewart kings there were a number of noted physicians belonging to a French family of Chamberlains. This family is said to have been founded in England by William Chamberlain, a Huguenot who fled to England in the reign of Queen Elizabeth.

In this country there have been two governors of the name, Daniel Henry Chamberlain, governor of South Carolina, and Joshua L. Chamberlain, governor of Maine.

LUTHER—This is a German family name derived from an old German personal name, Luther, which is the equivalent of the French Luthair. In this country there is a Rhode Island family of the name who claim Welsh descent, though I cannot find the name in Wales. They were prominent Baptists and founded one of the earliest churches of that denomination in this country.

(By McClure Newspaper Syndicate)

Mother's Cook Book

It is a greater compliment to be trusted than to be loved.

SOMETHING TO EAT

EVERYBODY likes or should like asparagus. Dressed with a generous allowance of butter, perfectly seasoned and hot, it is a dish fit for the gods.

Asparagus Soup.—Cook two cupfuls of asparagus in three cupfuls of water. When tender, rub through a sieve and add one pint of white sauce, using two cupfuls of milk, thickened with two tablespoons of flour and butter cooked together until smooth before adding the milk. Season with one and one-half teaspoonfuls of salt, a few dashes of cayenne and one-fourth teaspoonful of sugar. Loll up once and serve with a spoonful of whipped cream on top of each cup and hot croutons.

Chicken in Asparagus.—Cook fowl until very tender and roll each in seasoned flour and brown lightly in sweet fat. Make toast, cut into round-sized rounds, butter them and lay in a shallow baking dish, place a piece of chicken on each round and surround with hot cooked asparagus which has been cut into half-inch lengths. Pour over all a hot white sauce to which beaten egg yolk has been added after taking the fire. Stir rapidly and garnish with toast points to serve.

Liver en Casserole.—Slice calf's liver as for frying and cook at simmering temperature in salted water for twenty minutes. Drain and chop fine, add a clove of onion, chopped or a tablespoonful of onion, with salt and pepper to taste. In the bottom of the casserole place a half cupful of well-washed rice, spread over this one chopped carrot, the liver and the liquor in which it was cooked (there should be two cupfuls), add two tablespoons of butter spread over the top of the dish. Bake sufficiently long to cook the rice. Just before serving add a half cupful of cream and sprinkle with minced parsley. Remove the cover and let stand in the oven five minutes, then serve.

Savory Smoked Fish.—Cut thin strips of any smoked fish; put over the fire in cold water and let come to a boil, cooking ten minutes. In another saucepan heat one cupful of stock with one-fourth cupful each of tomato sauce, vinegar and a tablespoonful of mustard, and a dash of cayenne. Cook the drained fish in a hot pan with one-fourth cupful of butter and two tablespoons of flour; stir this into the saucepan containing the fish and seasoned stock, cover, simmer for five minutes. Serve on a hot platter surrounded, with Boston crackers split and toasted. Salmon and haddock are especially good prepared in this manner.

Nellie Maxwell
(By McClure Newspaper Syndicate)

MARKETS

MILWAUKEE MARKETS.

Butter.	
Creamery tubs	30 @ 39½c
Extra firsts	38 @ 38¼c
Cheese.	
American, full cream, twins	21½ @ 22c
Young Americas	22 @ 22½c
Daisies	21½ @ 22c
Longhoras	22 @ 22½c
Brick	20 @ 21c
Limburger	23 @ 24c
Eggs.	
Fresh, current receipts	27 @ 27½c
Seconds	23 @ 23½c
Live Poultry.	
Fowls	24 @ 26c
Roosters	16c
Spring chickens	20 @ 31c
Turkeys	25 @ 26c
Ducks	27 @ 28c
Geese	15 @ 16c

Hay.	
No. 1 timothy	14.00 @ 15.00
No. 2 timothy	12.00 @ 13.00
No. 1 mixed	13.00 @ 15.50
No. 2 clover, mixed	11.00 @ 12.00
Rye straw	9.00 @ 10.00
Old straw	9.00 @ 10.00

Grain.	
Corn—	
No. 3 yellow	1.12 @ 1.14
No. 3 white	1.10 @ 1.12
No. 3 mixed	1.10 @ 1.12
Oats—	
No. 3 white	.46 @ .46½
Rye—	
No. 2	1.23 @ 1.25
Choice to fancy	.55 @ .56
Fair to good	.86 @ .95
Light weight	.82 @ .91
Feed	.70 @ .82

Potatoes.	
Wisconsin white stock	80 @ 90
Fancy daisy	50 @ 1.00
No. 2	.60 @ .70

Hogs.	
Prime, heavy butchers	12.15 @ 12.25
Light butchers	12.15 @ 12.30
Fair to best, light	12.00 @ 12.35
Fair to best, mixed	11.50 @ 12.00
Fair to select packers	10.75 @ 11.25
Cattle.	
Steers	3.00 @ 11.00
Heifers	2.75 @ 9.00
Cows	2.50 @ 7.50
Bulls	3.50 @ 6.00
Calves	8.00 @ 9.50

Sheep.	
Lambs, good to choice	12.50 @ 13.50
Fair to good	10.00 @ 12.25
Culls	8.00 @ 9.00
Ewes	7.00 @ 8.00
Bucks	3.00 @ 4.00

MINNEAPOLIS MARKETS.

Wheat—No. 1 northern	1.62 1/4 @ 1.64
Corn—No. 3 yellow	1.11 @ 1.13
Oats—No. 3 white	.42 @ .43
Barley	.72 @ .85
Flax—No. 1	2.78 @ 2.82

CHICAGO MARKETS.

Wheat—No. 3 hard	1.70 @ 1.70 1/4
Corn—No. 2 yellow	1.11 1/2 @ 1.18
Oats—No. 3 white	.46 @ .47 1/4
Rye—No. 1	1.27 @ 1.27 1/2
Barley	.78 @ .90

CHILDREN CRY FOR



Fletcher's CASTORIA

MOTHER:—Fletcher's Castoria is especially prepared to relieve infants in arms and children all ages of Constipation, Flatulency, Wind Colic and Diarrhea; allaying Feverishness arising therefrom, and, by regulating the Stomach and Bowels, aids the assimilation of Food; giving healthy and natural sleep.

To avoid imitations, always look for the signature of *Dr. J. C. Fletcher*. Absolutely Harmless—No Opium. Physicians everywhere recommend it. A gem of thought is often inquired by a bad setting. We don't care so much for men as we do for the perfect as to be sociable.

Tanlac puts solid flesh on scrawny bones

HOW can you expect to get back your health and strength as long as your body is scrawny and underweight? Let Tanlac put some good, solid flesh on your bones, put your stomach in shape to digest your food, purify your poisoned blood! Then see how much better you feel.



Got Rid of Neuralgic Pains
"I suffered four years from indigestion and neuralgic pain. Now, thanks to Tanlac I am in perfect health."
A. R. Anderson
1505 Austin Street
Houston, Texas

In our files are one hundred thousand glowing letters of thanks from men and women who have been helped back to health and strength by Tanlac. What it has done for these folks it can surely do for you.

Tanlac is Nature's greatest tonic and builder. It is compounded after the famous Tanlac formula from roots, barks and curative herbs. It gets right down to the seat of trouble and makes you feel right from the first dose.

Don't put off taking Tanlac another day. Don't go on dragging your poor, tired-out, sickly body around when this great remedy can bring you quick relief. In cases of torpid liver, rheumatism, stomach complaint, lowered resistance, indigestion and malnutrition Tanlac will work wonders. Get a bottle this very day and start feeling better tonight.

TAKE TANLAC VEGETABLE PILLS FOR CONSTIPATION

TANLAC FOR YOUR HEALTH

Insure Your Complexion!

USE *Marcelle* Face Creams and Cold Cream Powder

Their fragrance is charming and they impart that delightful feeling of well-being so much appreciated by every dainty woman. Best dealers everywhere sell it.

Write for liberal FREE SAMPLE today

C. W. BEGGS Sons & Co., 1744 N. Richmond St., Chicago, Ill.

Yeast Foam makes bread that tastes better

Nothing has such hunger-satisfying flavor as the home loaf made with Yeast Foam.

Send for free booklet "The Art of Baking Bread"

YEAST FOAM

"No wonder the men folks eat twice as much of it"

Northwestern Yeast Co., 1730 North Ashland Ave., Chicago, Ill.

Just for Curiosity

If you are curious about the results of using Calumet—bake a cake and use some other baking powder, then use the same recipe and employ **CALUMET** THE WORLD'S GREATEST BAKING POWDER

Compare the texture of the two cakes—the way they look—the way they taste. The difference will make you join the millions who use Calumet daily.

Sales 2½ Times Those of Any Other Brand

THERE IS NO SUBSTITUTE FOR CALUMET

5

THE FLAVOR LASTS

WRIGLEY'S
-after every meal!

ND FOUR DOOR N

WHERE

CH DA

TA

CO.

TY

ARS

Clean windows in 15 Seconds with few drops of C-it

No water, soap or powder

No rubbing or polishing

No red, rough hands

C-it is the amazing new window cleaning liquid you have no doubt heard about. It has proved a sensation everywhere. For it revolutionizes all old-fashioned window-washing methods.

C-it is as pure and harmless as clean water. It is a thousand times more cleaning. It is as powerful as a single penny. Just by a 25¢ can you clean up a single penny. Just by a 25¢ can you try it on one window. Then if you don't see that it exactly all other window cleaning methods, return the unused contents to your dealer and get back every penny. In fairness to yourself, please make this test today.

C-it
See it!
Clean Windows in 15 Seconds

Walk with Spring and Comfort in Every Step

"U.S." SPRING-STEP

Rubber Heels

A Better Heel to Walk On

USKIDE

United States Rubber Company

FREE TO Housewives

Send your name and address for FREE POSTPAID LIQUID VENEER

LIQUID VENEER

Kill All Flies!

FOR OVER 200 YEARS

GOLD MEDAL CASHEM OIL

FIRST AID TO BEAUTY AND CHARM

ALLEN'S

